

# The Boxer OPERATOR'S MANUAL

## INTRODUCTION

All scales come complete with an easy to clean stainless steel top on a sturdy steel frame, and a remote indicator with a large LCD display which is easy to read from a distance.

The water-resistant keyboard has 4 easy to use function keys: NET/GROSS -UNIT-ON/OFF-TARE.

With the standard AC adapter included and the facility for dry cell batteries, the scales can be used in a fixed location or as a portable scale.

## ASSEMBLY

The scale comes complete with the stainless steel top and a power supply module.

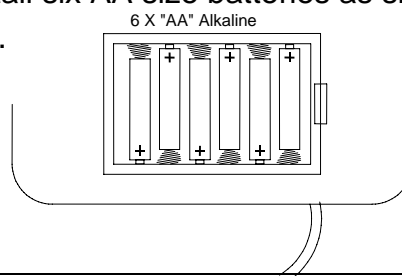
Plug the power supply into the socket on the left side of the weight indicator. Then plug the power supply into the mains power.

The scale can also be used with batteries for a truly portable scale

## Installing batteries

Power can be supplied by mains adapters delivering a regulated 6 to 15VDC 100 mA , or using batteries inside of scale's head (6 x AA Size). Remove the cover from the battery compartment under the stainless steel pan by lifting the tab. Install six AA size batteries as shown:

It is suggested Alkaline batteries be used for best life.



## SPECIFICATIONS

Model #	MPS 30	MPS 60	MPS 150
Maximum Capacity	30 kg	60 kg	150 kg
Readability	0.01 kg	0.02 kg	0.05 kg
Resolution	1:3000	1:3000	1:3000
Tare Range	Full range	Full range	Full range
Repeatability (Std Dev)	+/- 1d	+/- 1 d	+/- 1d
Linearity ±	+/- 2d	+/-2d	+/- 2d
Units of Measure	Kg/lb/oz		
Stabilisation Time	1-2 secs.		
Operating Temperature	5°C - 35°C or 13 F - 95°F		
Power supply	6 x AA batteries or 9V-15V 100ma AC adapter		
Calibration	Automatic External		
Calibration mass	20 kg	40 kg	100 kg
Indicator display	26mm/1.0" LCD digital display showing net, gross, zero, stable and weighing units		
Platform Size	310 x 300 mm / 12¼ x 12"		
Dimensions (w x d x h)	Base: 310 x 300 x 50 mm 12 ¼ x 12 x 2" Indicator: 270 x 80 x 30mm 11 x 3 x 1"		
Gross Weight	4.8 Kg / 10.6 lb.		

# OPERATOR'S INSTRUCTIONS

## Key description

- Tare** - Set the display to zero by storing the current weight in the tare memory
- On / Off** - Turns the scale on or off,
- Units** - Select kilograms, pounds or ounces
- Net / Gross** - Select either Gross weight or Net weight when a tare weight has been entered
- Count** - Count how many times you weigh

o weigh on the scale turn the scale on using the **On/Off** key. After the display is at zero place an item to be weighed on the platform. The display will show the weight. The unit will be shown in kilograms unless the user has selected either pounds or ounces previously.

If an empty container is used the weight can be ignored by zeroing the display. To zero the display presses the **TARE** key. Then when material is placed in the container only the weight of the material will be shown.

Switch between showing the Net Weight (Material Only) and the Gross Weight (container plus material) by pressing the **Gross/Net** key.

<b>DISPLAY SYMBOLS</b>	
<b>Symbol</b>	<b>Description</b>
→○←	scale in auto zero range (indication = accurate zero)
○	result is stable
kg , lb or oz	scale in weighing mode
Lo-bAt	battery is weak, after 5 minutes the scale will turn off
◀	Show the Net Weight is being display (NW) or the Gross Weight is displayed (GW)
pcs	You can select the sample size from 10, 25, 50 or 100 pieces

## CALIBRATION

Occasionally the scale should be verified that it is weighing correctly by measuring a known mass of approximately the scale capacity. Tare the scale, place the mass on the center of the platform and note the reading. Calibrate the scale if necessary.

Before beginning make sure you have the mass specified and you know the mass is accurate.

## PROCEDURE

Turn the scale off.

Press and hold the **On/Off** key then press the **Units** key 3 times. Release the **ON/OFF** key. The display will show a value from the internal counters. The typical value is 2000 to 16000.

Press the **Tare** key. Display will show zero.

Place the calibration weight (below) on the scale, centers on the platform.

MPS 30 20kg mass

MPS 60 40kg mass

MPS 150 100kg mass

Press the **Tare** key again. The display will show "CAL" then returns to weighing showing the value of the weight used. Remove the weight. Verify the scale is calibrated correctly.

# SET FUNCTIONS

The scale can be set as desired for the user. The settings that can be changed are:

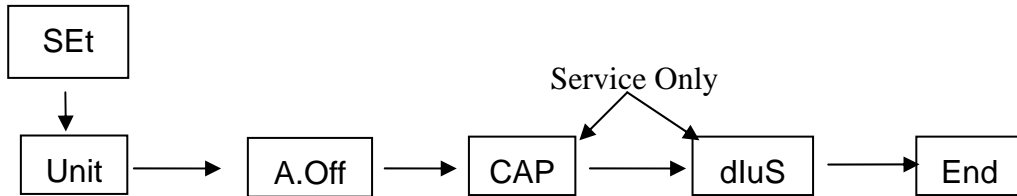
Weighing Units enabled

Time delay before the scale automatically turns off.

Access to some service parameters, Contact Marsden your dealer for more details.

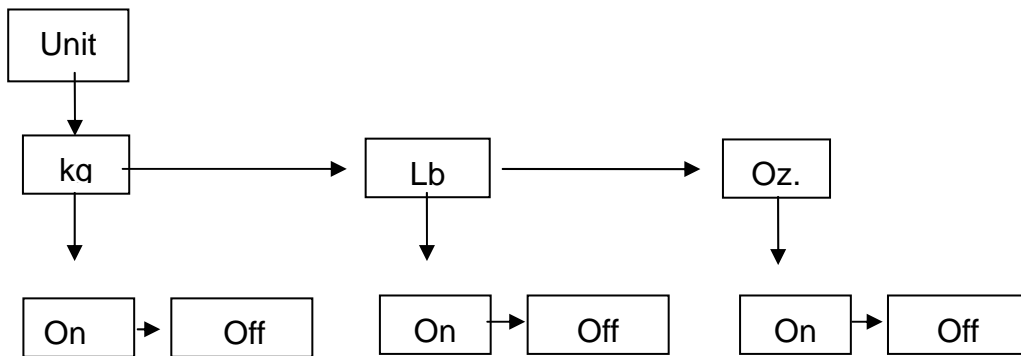
Press and hold the **TARE** key for 3 seconds until the display shows "Set" then the first menu option "Unit"

Press the **Unit** key to cycle through the options.

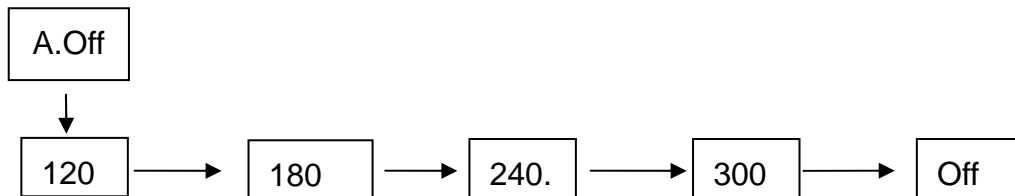
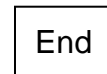


At each option press the **Net / Gross** key to enter the functions and then press the **Unit** key to see the options, pressing the **Net / Gross** key again to return to the functions menu.

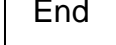
**Each weighing unit can be enabled or disabled**



**The Automatic Turn-off time can be set or disabled (off)**



Seconds delay until turn off

**The other functions do not apply to the users. Advance to**  **in order to exit the menu.**

## COUNT FUNCTION

Press COUNT key until you see the sample size you require. For example: A10 = add 10 pieces, display will show A10 (add 10) and 5-8Y (standby) alternately. Minimum sample weight is 20g.



### **Manufacturer's Declaration of Conformity**

This product has been manufactured in accordance with the harmonised European standards,  
following the provisions of the below stated directives:

Electro Magnetic Compatibility Directive 89/336/EEC

Low Voltage Directive 73/23/EEC

MARSDEN Equipment Co. Ltd.